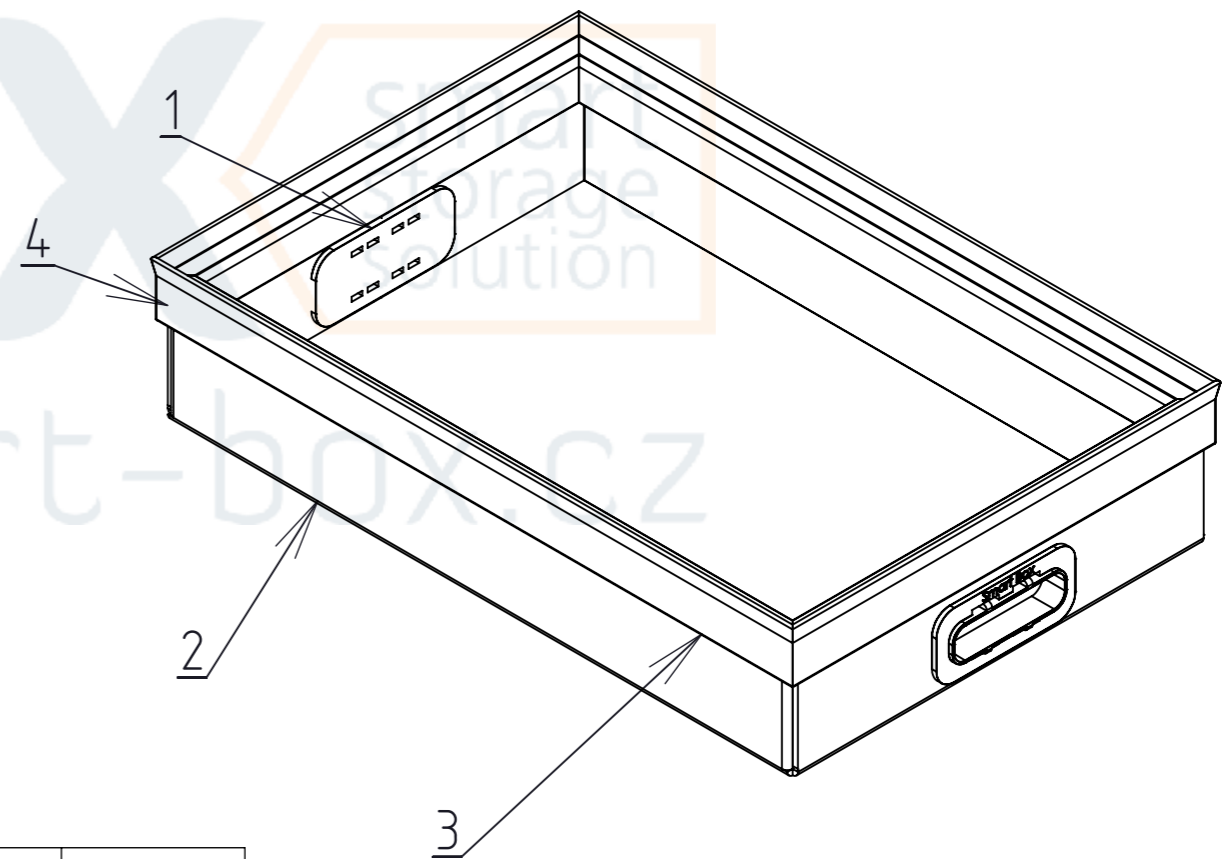
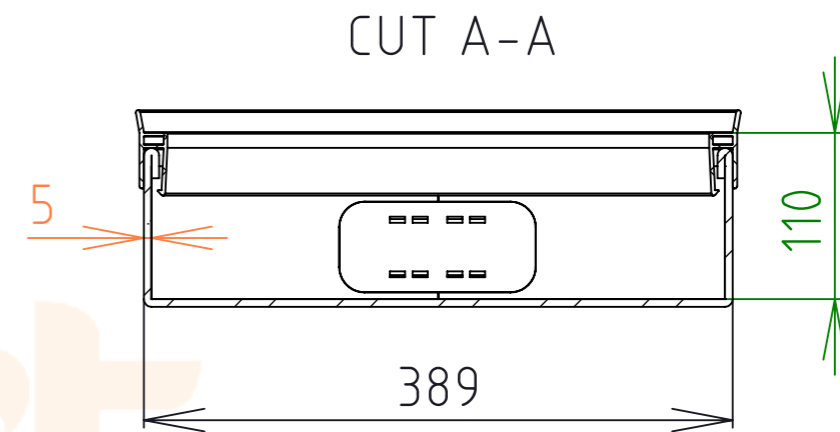
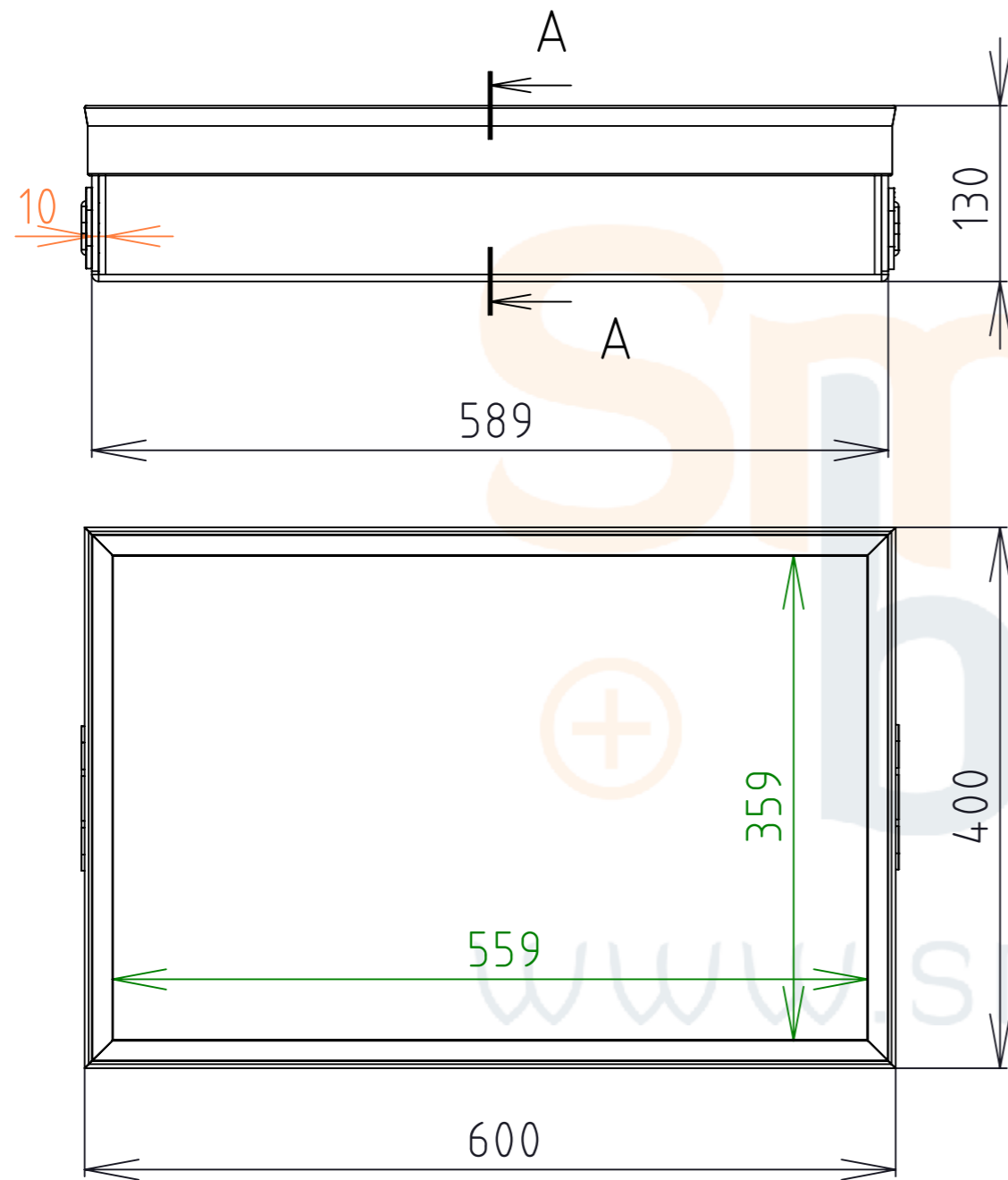


TECHNICAL DRAWING



ITEM N.	DESCRIPTION	QUANTITY	WEIGHT
1	Handle smart - opened x closed	2	0.05
2	Stacking box - PP stacking H profile - box_01	1	0.51
3	Stacking box - PP stacking H profile - H profile_01	1	0.54
4	Stacking box - PP stacking H profile - PPsmall frame_01	4	0.00

SPECIFICATION	
Weight	1.15 kg
Volume	22 l
Scale	1:5

OPTIONAL PARAMETERS - TYPE A

