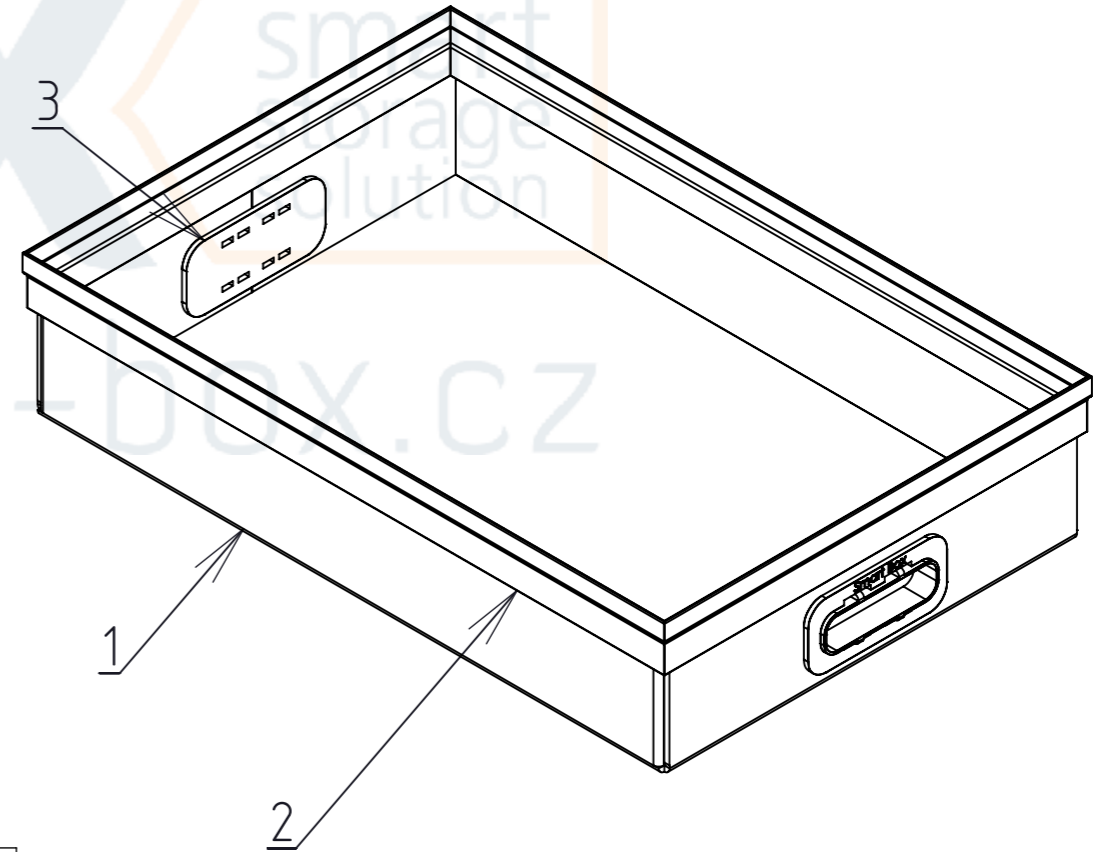
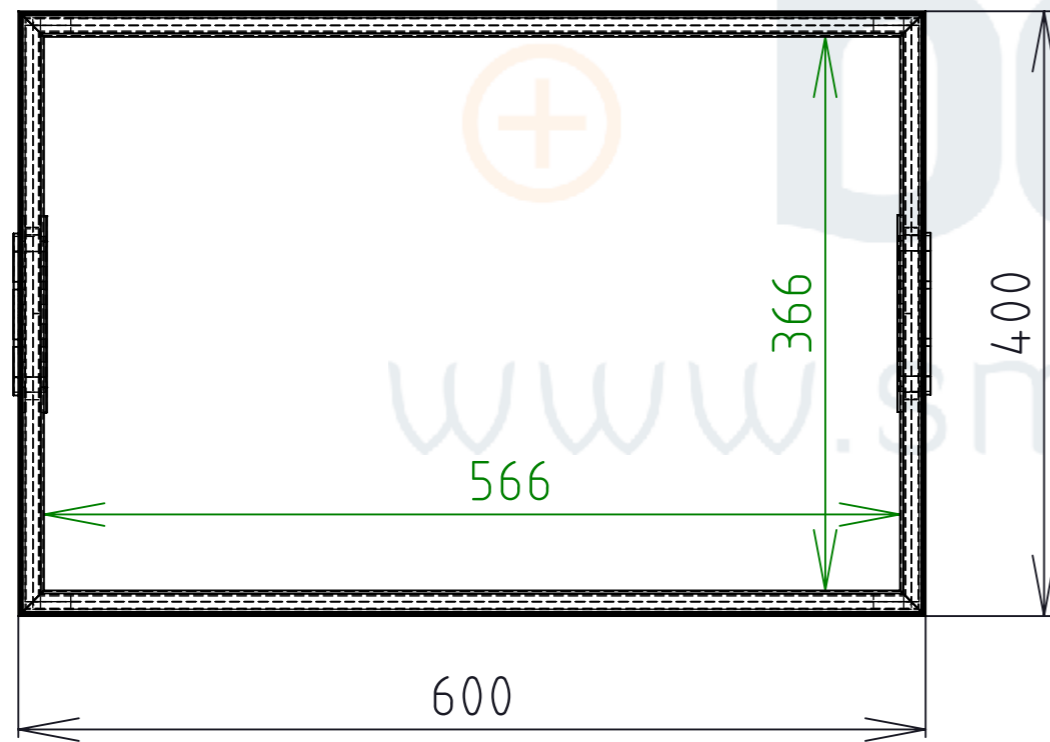
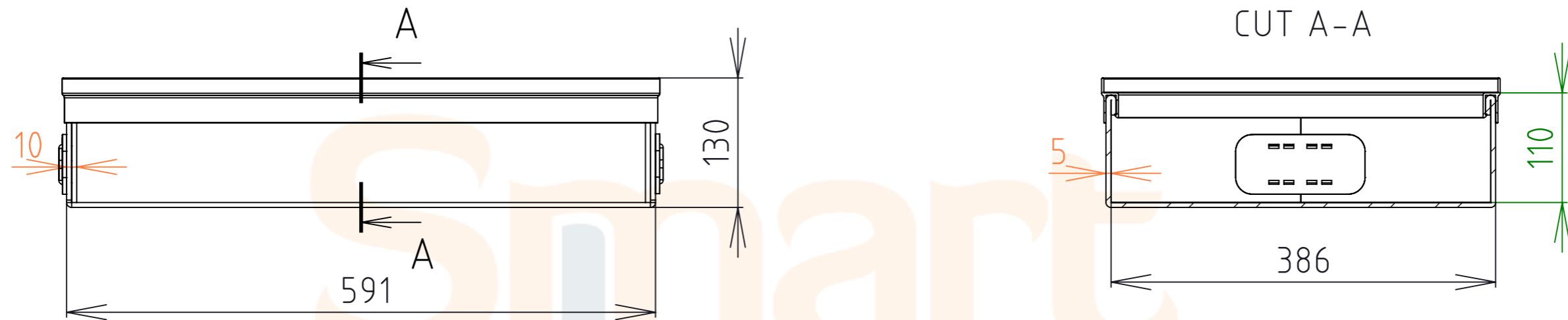


TECHNICAL DRAWING



ITEM N.	DESCRIPTION	QUANTITY	WEIGHT
1	Stacking box - Al stacking H profile - box_01	1	0.55
2	Stacking box - Al stacking H profile - frame_01	1	0.97
3	Handle smart - opened x closed	2	0.05

SPECIFICATION	
Weight	1.62 kg
Volume	22.8 l
Scale	1:5