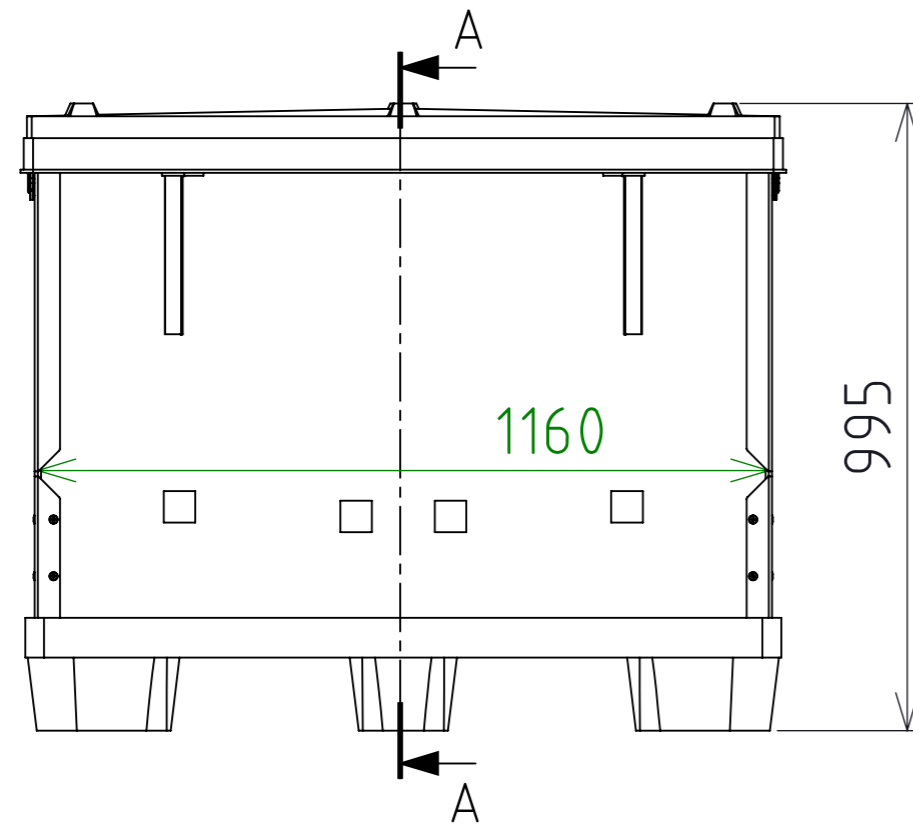


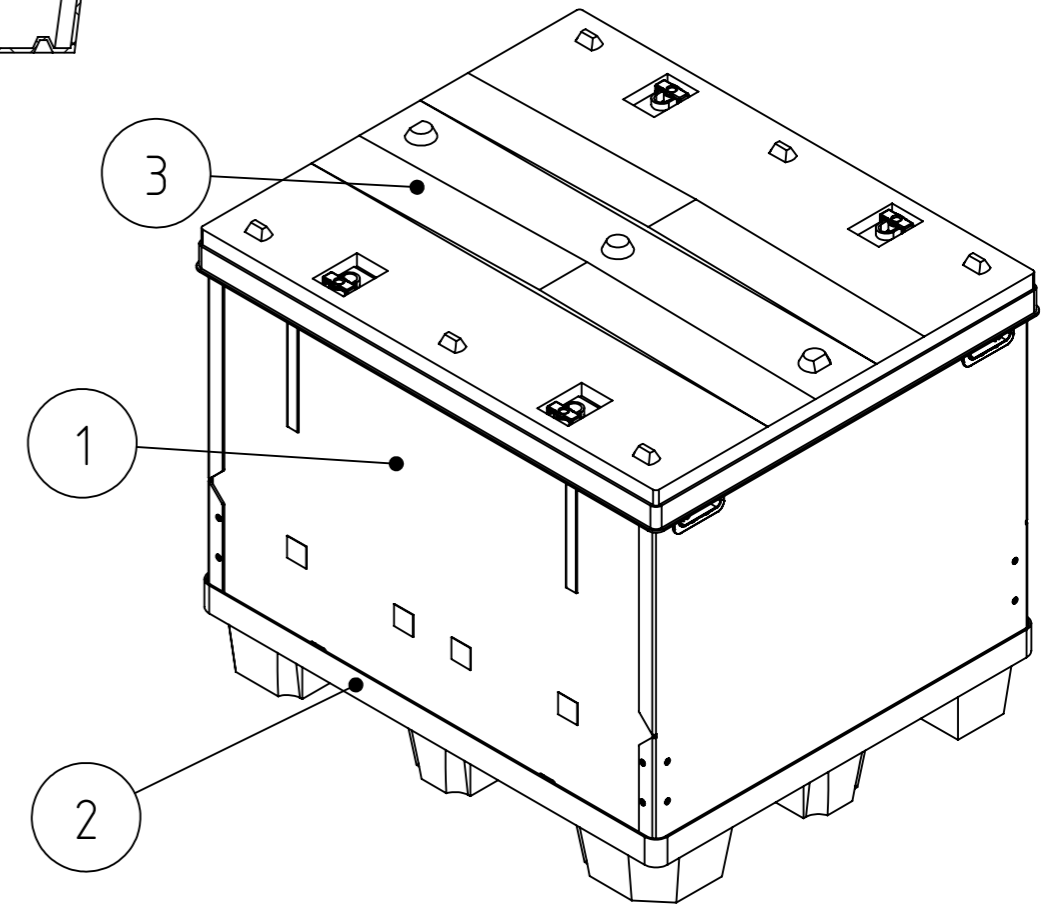
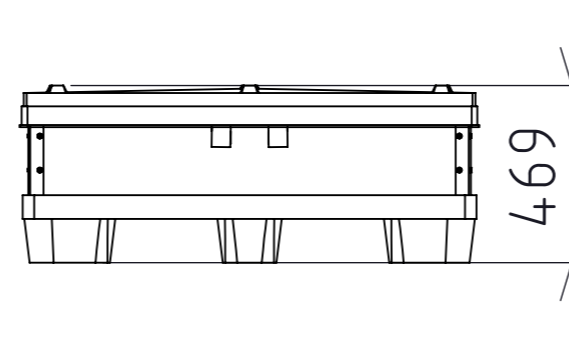
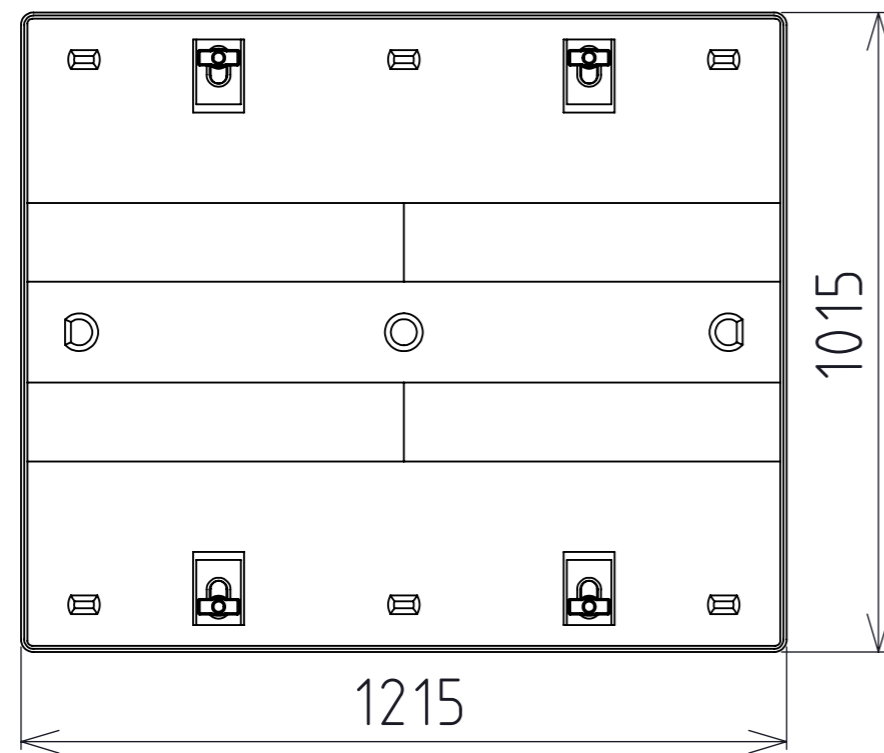
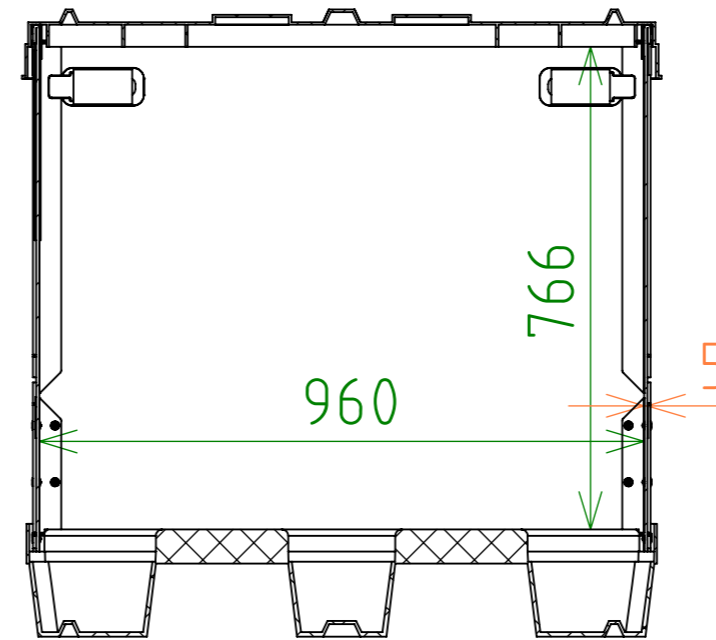
Product ID: 8596349008928

TECHNICAL DRAWING

TPS 1210 L - 1 x load door 2000g/m²



CUT A-A



ITEM NO.	DESCRIPTION	QUANTITY	WEIGHT(kg)
1	TPS 1200X1000 mm,sleeve	1	5.71
2	TPS 1200x1000 mm;palette	1	13.30
3	TPS 1200x1000 mm;lid	1	8.30

SPECIFICATION	
Weight	27.31 kg
Volume	853 l