

TPS boxes are 100% recyclable, can be folded and re-used for several years, offering an ergonomic and space solution for the storage and transport. Our offers the TPS box capable of fulfilling our customers requirements and needs. Its structure provides a complete adaption to intensive use in the logistic field and specially in closed loops.



TECHNICAL INFORMATION

External dimensions:

Long: 1200 mm
 Width: 1000 mm
 Height: **H**+140 mm
 Height folded (S.S): 300 mm
 Stacking height: **H**+120 mm

H= Sleeve height

Internal dimensions:

STANDARD SANDWICH SYST.

Long: 1160 mm 1145 mm
 Width: 960 mm 945 mm
 Height: **H**-70 mm **H**-70 mm

Weight: (± 3%)

Pallet: 13.3 kg
 Lid: 8.3 kg
 Sleeve: 12.9*H /1000 kg
 Skids: 3.4 kg

Maximum *load:

400 kg
 - Stacked static (1+3) 1200 kg
 - In rack with skids: 400 kg
 *Uniform load with sleeve 3000 gr/m²

Temperature:

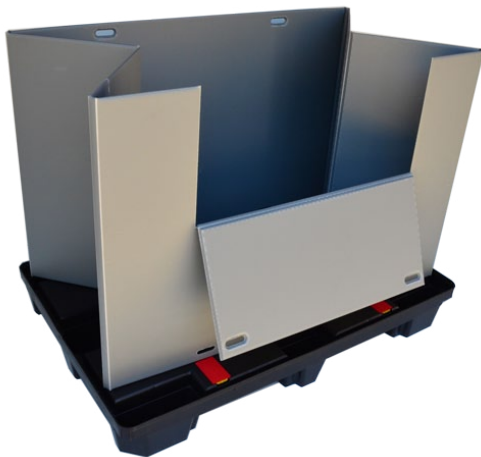
Use : between -10°C and 40°C

Materials: PPC

-Pallet, lid, skids: recycled material
 -Sleeve: recycled or virgin material

Characteristics

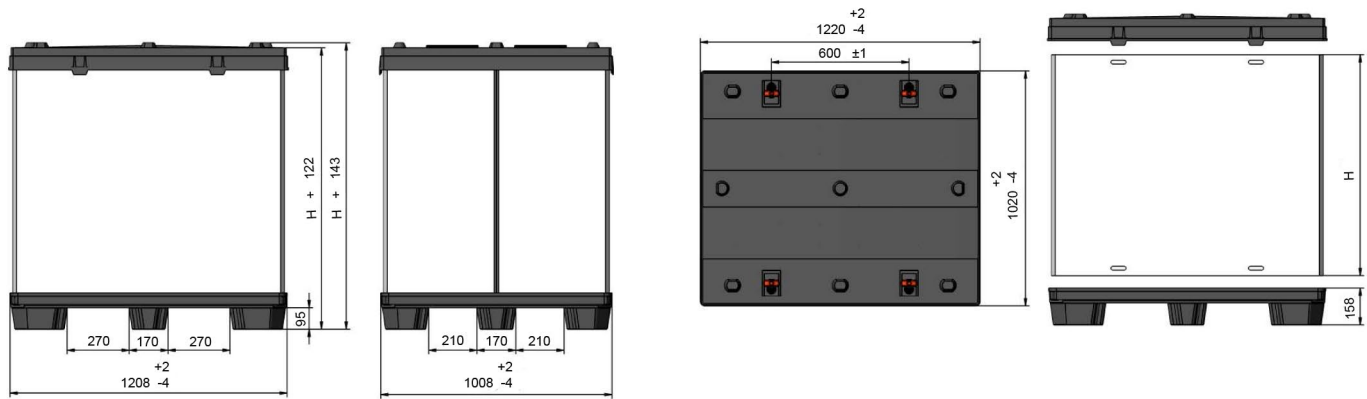
- Pallet, lid and skids on one injection.
- Easy assembly and handling
- Manufactured in 100% recycled materials
- Without metallic reinforcements
- Nestable pallet and lid
- Entries: four-way
- 4 locking devices in pallet and lid
- Sleeve standard thickness: 10 mm
- Sleeve standard weight: 3000 gr/m²
- Sleeve height
- Freestanding sleeve inside the box:
 - Until 960 mm height , folded in 'M';
 - From 961 mm height to 1160 mm folded in 'Z' ;



Options

- Windows in sleeve (standar 800x350 mm).
- Open or closed edge (in the sleeve)
- Handles on the lid
- Without locking devices in the lid (minimum purchase order).
- Skids for use in roller paths or rack until 400 kg (increasing the height in 20 mm)
- Document bags
- Personalized screen printing
- Sandwich folded system with short sleeve (height 160 mm).
- Sleeve weights: 2000, 2500, 3000, 3500 and 4000 gr /m².
- ESD quality
- Sleeve standard weight: 3000 gr/m²
- Sleeve height

TECHNICAL DRAWING



RETURN SYSTEMS

SANDWICH SYSTEMS

- EMPTY RETURN: 8 BOXES**
- 1 sleeve folded inside the box.
 - ratio= 3:8 (with 1+2 loaded)
 - 1:4 (with 1+1 loaded)

STANDART SYSTEMS

- EMPTY RETURN: 12 BOXES**
- 11 sleeves folded inside the box.
 - ratio= 1:4 (with 1+2 loaded)
 - 1:6 (with 1+1 loaded)

