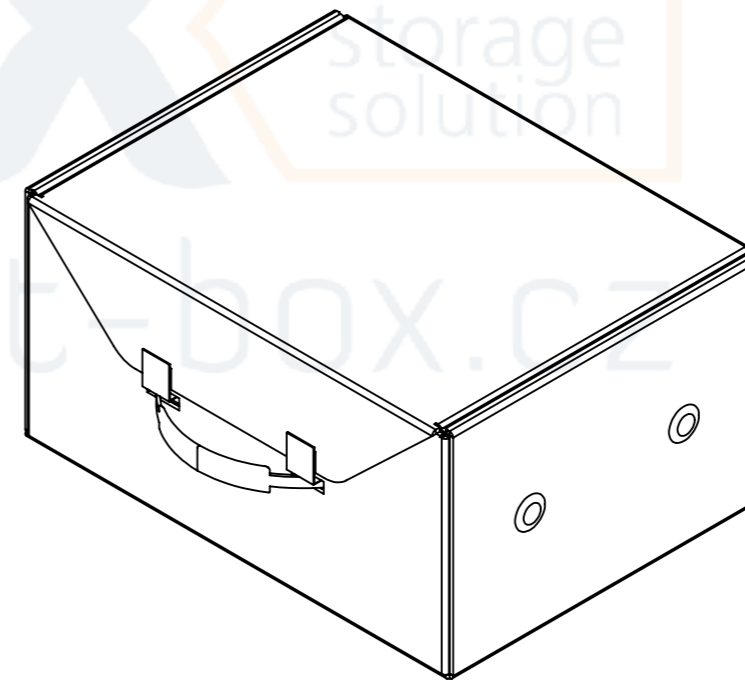
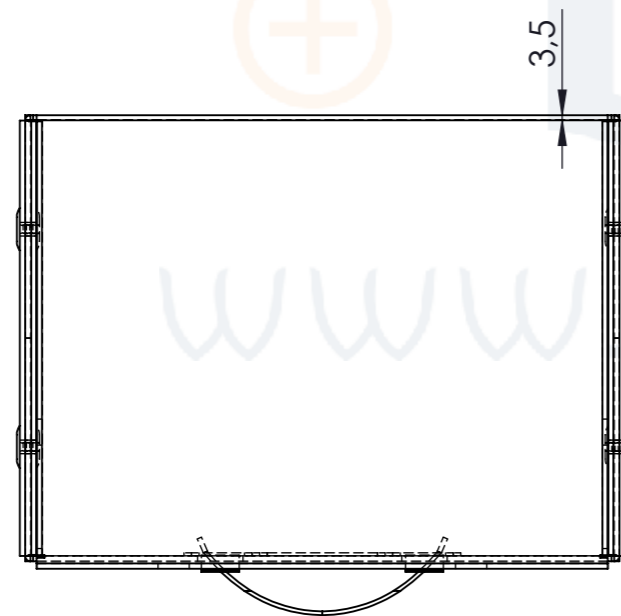
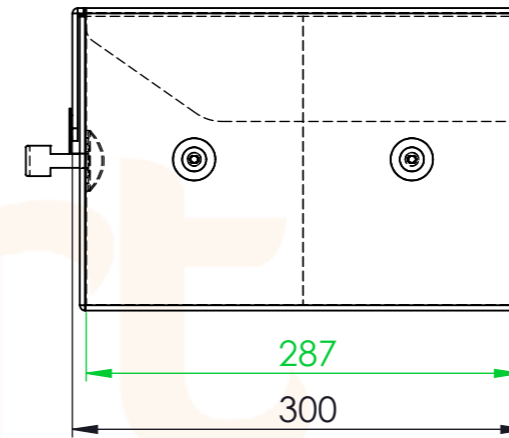
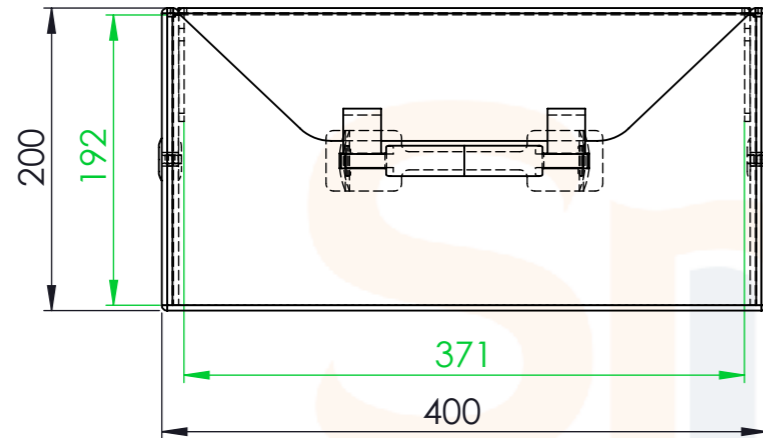


# TECHNICAL DRAWING



ITEM N.	Part	AMOUNT
1	Case	1
2	Handle	1
3	STUD-2000	4
4	velcro_01	2
5	velcro_02	2