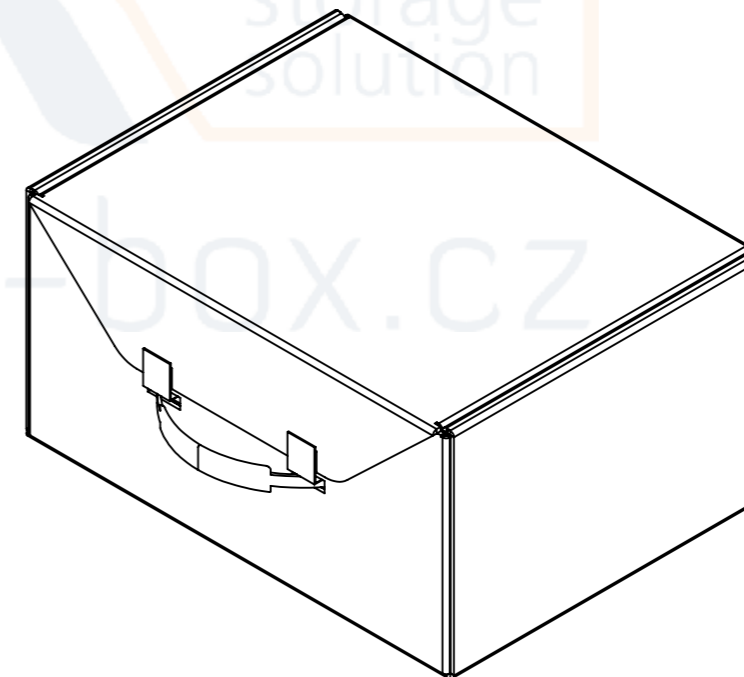
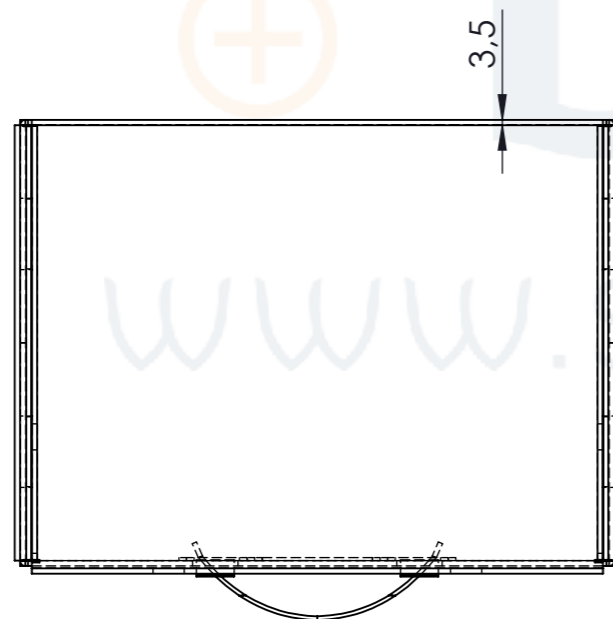
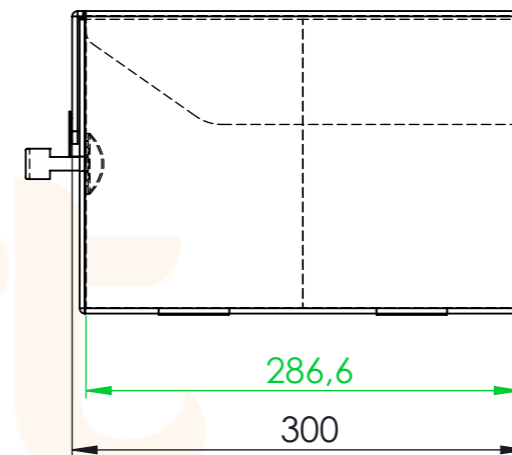
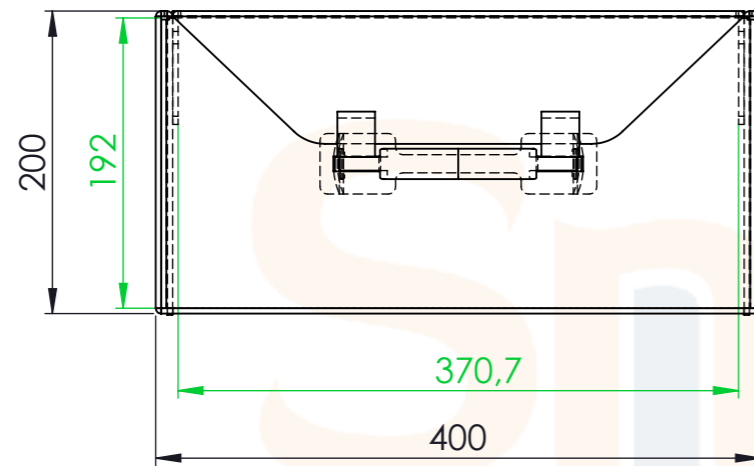


TECHNICAL DRAWING



ITEM N.	Part	AMOUNT
1	Case	1
2	Handle	1
3	velcro_01	2
4	velcro_02	2