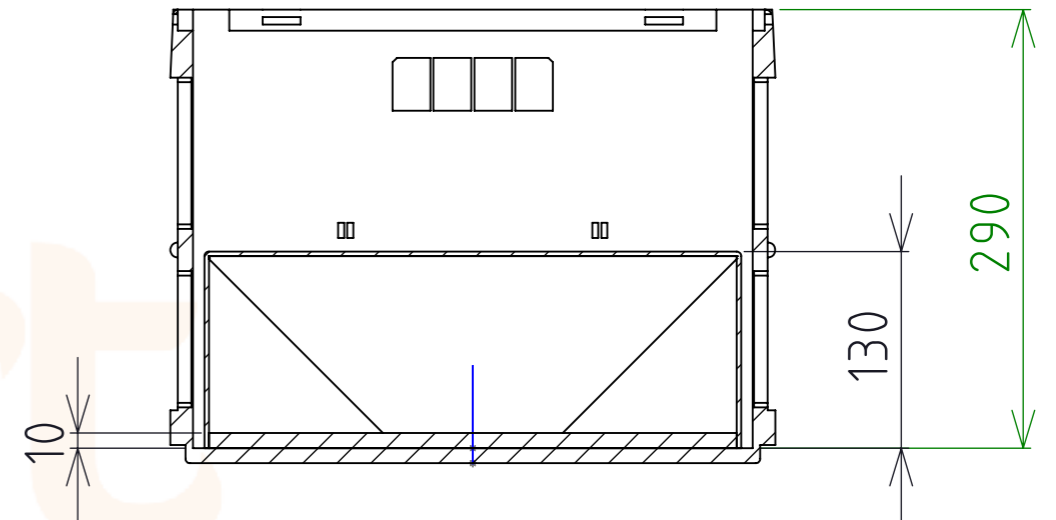
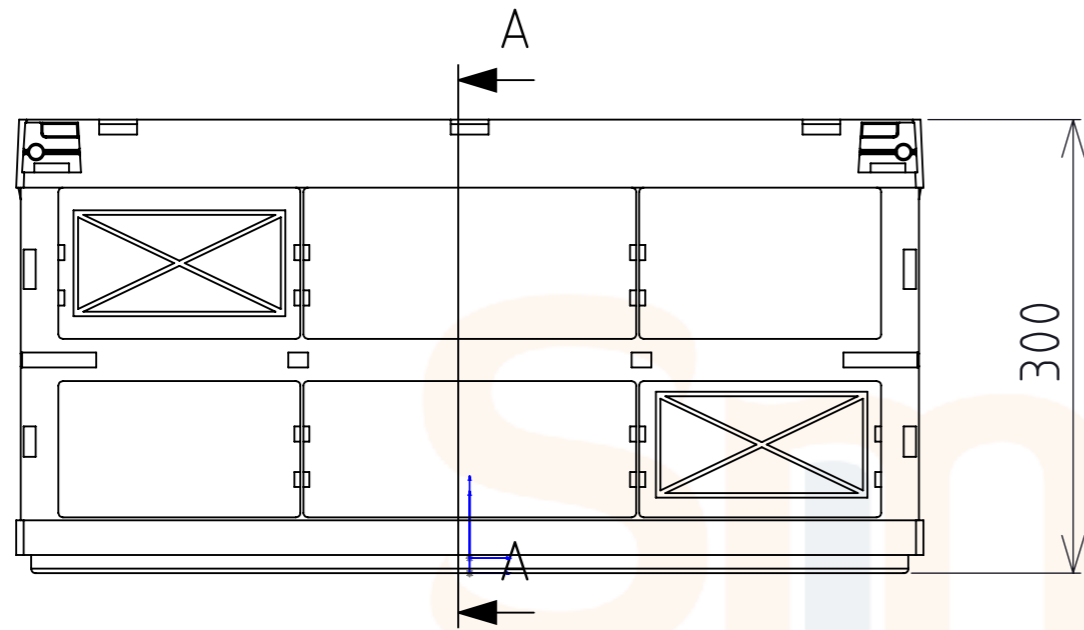


TECHNICAL DRAWING



CUT A-A

